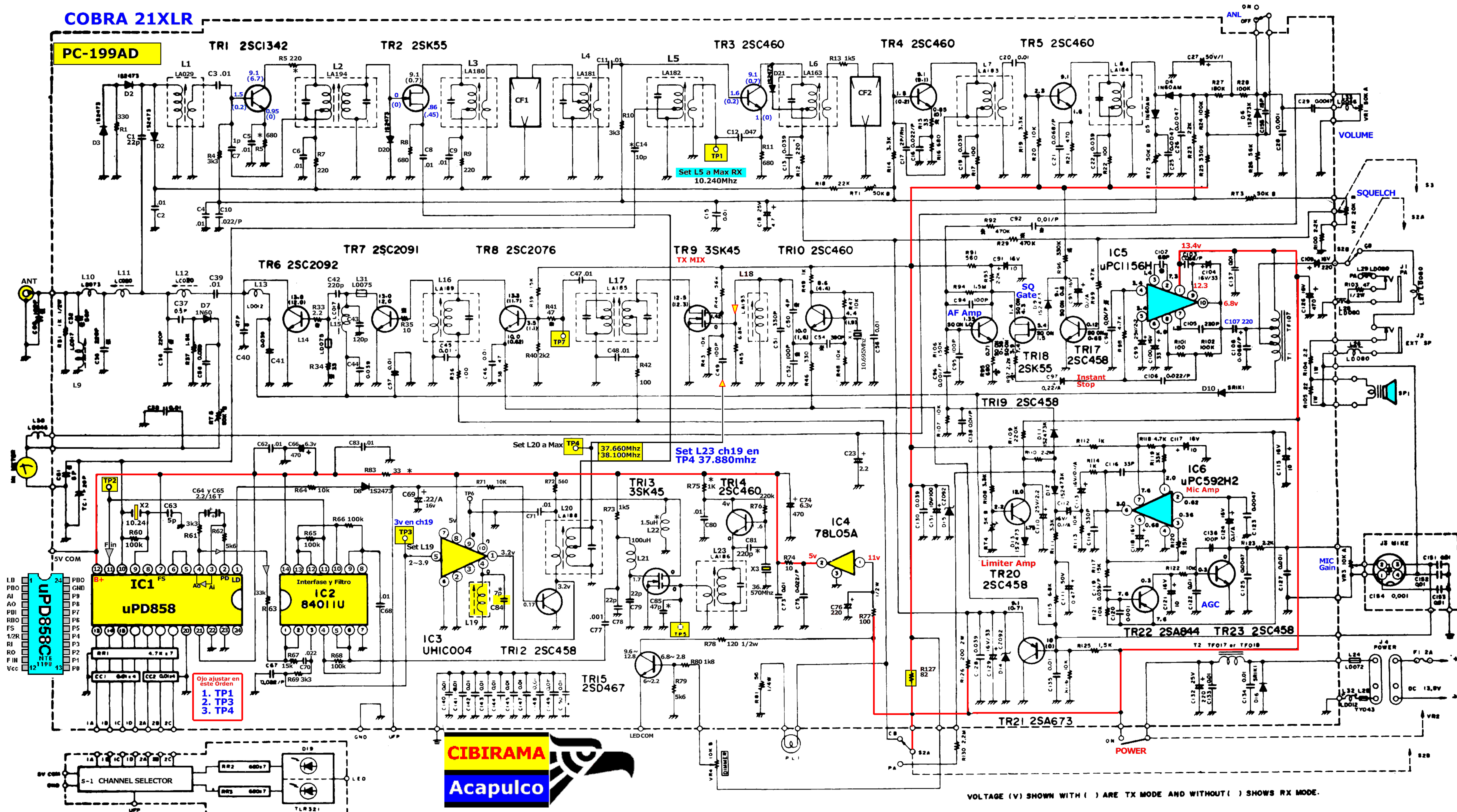


COBRA 21XLR

PC-199AD



Ojo ajustar en este Orden
 1. TP1
 2. TP3
 3. TP4

Set L5 a Max RX
 10.240mhz

TX MIX

Set L20 a max TP4
 37.660mhz
 38.100mhz

Set L23 ch19 en TP4
 37.880mhz



VOLTAGE (V) SHOWN WITH () ARE TX MODE AND WITHOUT () SHOWS RX MODE.